

# Type 12/13 Panel Enclosures

## Ground-Mount Enclosures

### Type 12 Single-Door Free-Standing with 3-Point Locking

#### Data Sheet



**Single-Door  
Single-Access**  
See page 115



**Single-Door  
Dual-Access**  
See page 116

Type 12/13 Panel Encl.

#### Application

- Houses electrical controls and instruments
- Easy access panels or rack mounts for housing optional equipment
- Dual-access construction available for back-to-back panel and equipment mounting
- Protects against circulating dust, falling dirt and dripping non-corrosive liquids

#### Standards

- UL 508 listed, Type 12
- CSA C22.2 No.94 certified, Type 12
- Conforms to NEMA standard for Type 12
- E.I.A. RS-310-D

#### Finish

- Wash and phosphate undercoat
- ANSI 61 gray polyester powder finish

#### Accessories

- Full and half panels
- Side panels
- Swing panels
- Center post
- Rack mount angles and swing out frames (see pages 187 - 188)
- Channel mounting hardware
- Touch-up paint
- Replacement handle, T4PKHB, (see page 422)
- See Accessories section

#### Construction

- Enclosure and door are fabricated from (12) gauge steel
- All continuous welded seams are finished smooth
- Doors are secured to the body with a heavy-duty continuous hinge and a 3-point key-locking and padlock handle mechanism
- Doors have a seamless poured in-place gasket
- Ground stud provided on door
- Print pocket provided
- Large lifting eyebolts are supplied
- Mounting channels are welded inside for locating panels along enclosure depth
- Dual-access enclosures permit back-to-back panel mounting
- A variety of optional panels and accessories are available, (see accessories pages 120-128)
- Two styles of enclosure construction:
  1. Single-door, single-access
  2. Single-door, dual-access

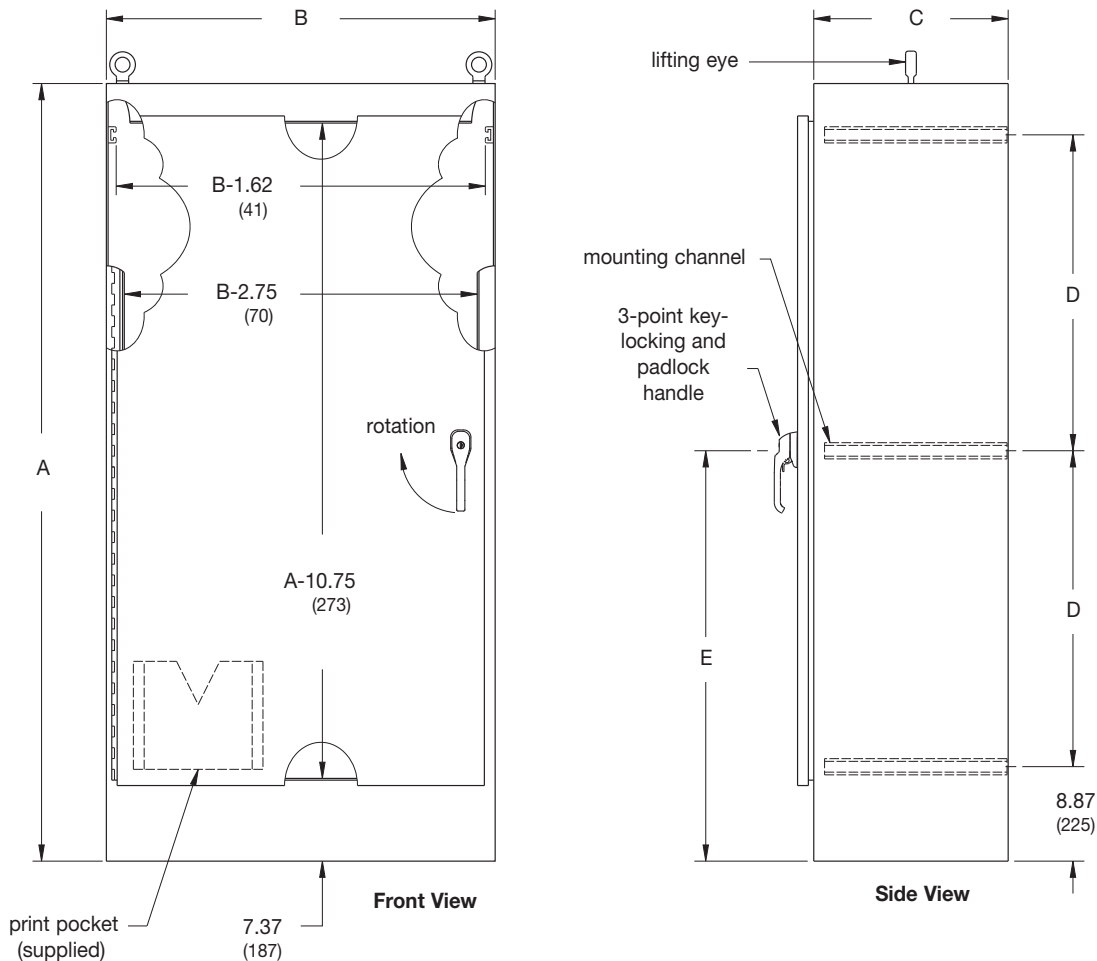
#### Discount Schedule: C2

#### Subclass: DMO

**Notes:** Cooper B-Line can provide special sizes, finishes and other modifications. Consult the factory for your special requirements.

## Ground-Mount Enclosures Type 12 Single-Door Free-Standing with 3-Point Locking Illustration Sheet and Catalog Number

Enclosure Catalog Number ANSI 61 Gray Carbon Steel	Enclosure Size Height x Width x Depth A x B x C		D		E	
	in.	mm	in.	mm	in.	mm
	602418-12FS	60.00 x 24.00 x 18.00	1524 x 610 x 457	23.12	587	32.00
722418-12FS	72.00 x 24.00 x 18.00	1829 x 610 x 457	29.12	740	38.00	965
723018-12FS	72.00 x 30.00 x 18.00	1829 x 762 x 457	29.12	740	38.00	965
723618-12FS	72.00 x 36.00 x 18.00	1829 x 914 x 457	29.12	740	38.00	965
902420-12FS	90.00 x 24.00 x 20.00	2286 x 610 x 508	38.12	968	47.00	1194
903620-12FS	90.00 x 36.00 x 20.00	2286 x 914 x 508	38.12	968	47.00	1194
603624-12FS	60.00 x 36.00 x 24.00	1524 x 914 x 610	23.12	587	32.00	813
722424-12FS	72.00 x 24.00 x 24.00	1829 x 610 x 610	29.12	740	38.00	965
723024-12FS	72.00 x 30.00 x 24.00	1829 x 762 x 610	29.12	740	38.00	965
723624-12FS	72.00 x 36.00 x 24.00	1829 x 914 x 610	29.12	740	38.00	965
903624-12FS	90.00 x 36.00 x 24.00	2286 x 914 x 610	38.12	968	47.00	1194
722430-12FS	72.00 x 24.00 x 30.00	1829 x 610 x 762	29.12	740	38.00	965
723630-12FS	72.00 x 36.00 x 30.00	1829 x 914 x 762	29.12	740	38.00	965
723636-12FS	72.00 x 36.00 x 36.00	1829 x 914 x 914	29.12	740	38.00	965
903636-12FS	90.00 x 36.00 x 36.00	2286 x 914 x 914	38.12	968	47.00	1194



**Notes:** Four lifting eyes are furnished when C dimension is 30.00 (762 mm) or more.  
Dimensions are in inches. Millimeters shown are for reference only. Data subject to change without notice.

Type 12/13 Panel Encl.

# Type 12/13 Panel Enclosures

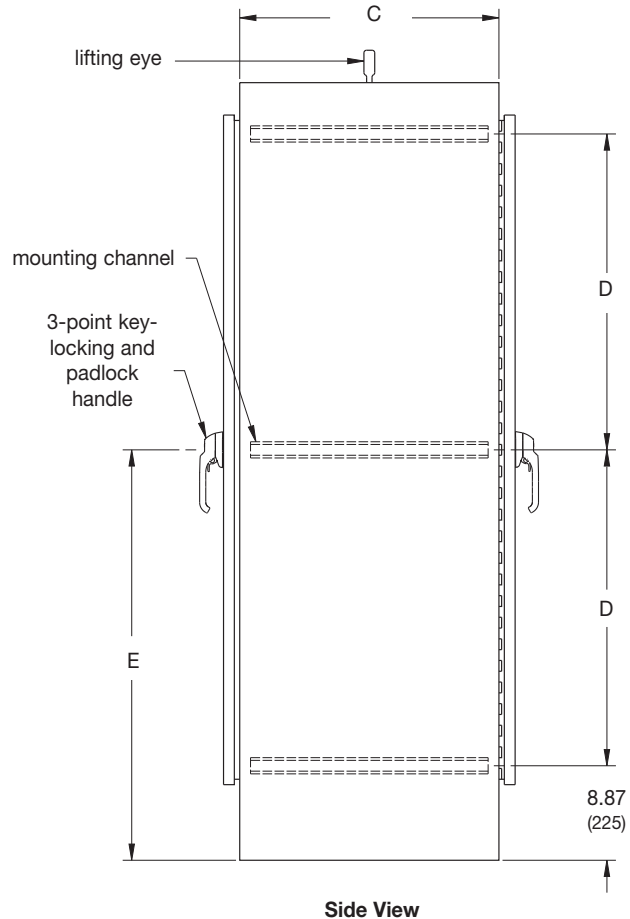
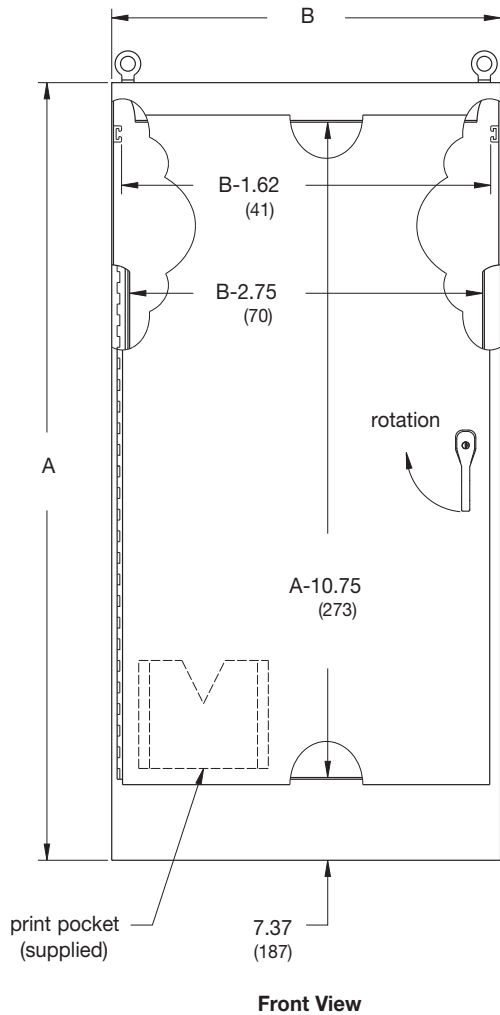
## Ground-Mount Enclosures

### Type 12 Single-Door Dual-Access Free-Standing with 3-Point Locking

#### Illustration Sheet and Catalog Number

Enclosure Catalog Number ANSI 61 Gray Carbon Steel	Enclosure Size Height x Width x Depth A x B x C		D		E	
	in.	mm	in.	mm	in.	mm
	722424-12FSDA	72.00 x 24.00 x 24.00	1829 x 610 x 610	29.12	740	38.00
723024-12FSDA	72.00 x 30.00 x 24.00	1829 x 762 x 610	29.12	740	38.00	965
723624-12FSDA	72.00 x 36.00 x 24.00	1829 x 914 x 610	29.12	740	38.00	965
903624-12FSDA	90.00 x 36.00 x 24.00	2286 x 914 x 610	38.12	968	47.00	1194
722430-12FSDA	72.00 x 24.00 x 30.00	1829 x 610 x 762	29.12	740	38.00	965
722436-12FSDA	72.00 x 24.00 x 36.00	1829 x 610 x 914	29.12	740	38.00	965
723636-12FSDA	72.00 x 36.00 x 36.00	1829 x 914 x 914	29.12	740	38.00	965
903636-12FSDA	90.00 x 36.00 x 36.00	2286 x 914 x 914	38.12	968	47.00	1194

Type 12/13 Panel Encl.



**Notes:** Four lifting eyes are furnished when C dimensions is 30.00 (762 mm) or more.  
Dimensions are in inches. Millimeters shown are for reference only. Data subject to change without notice.